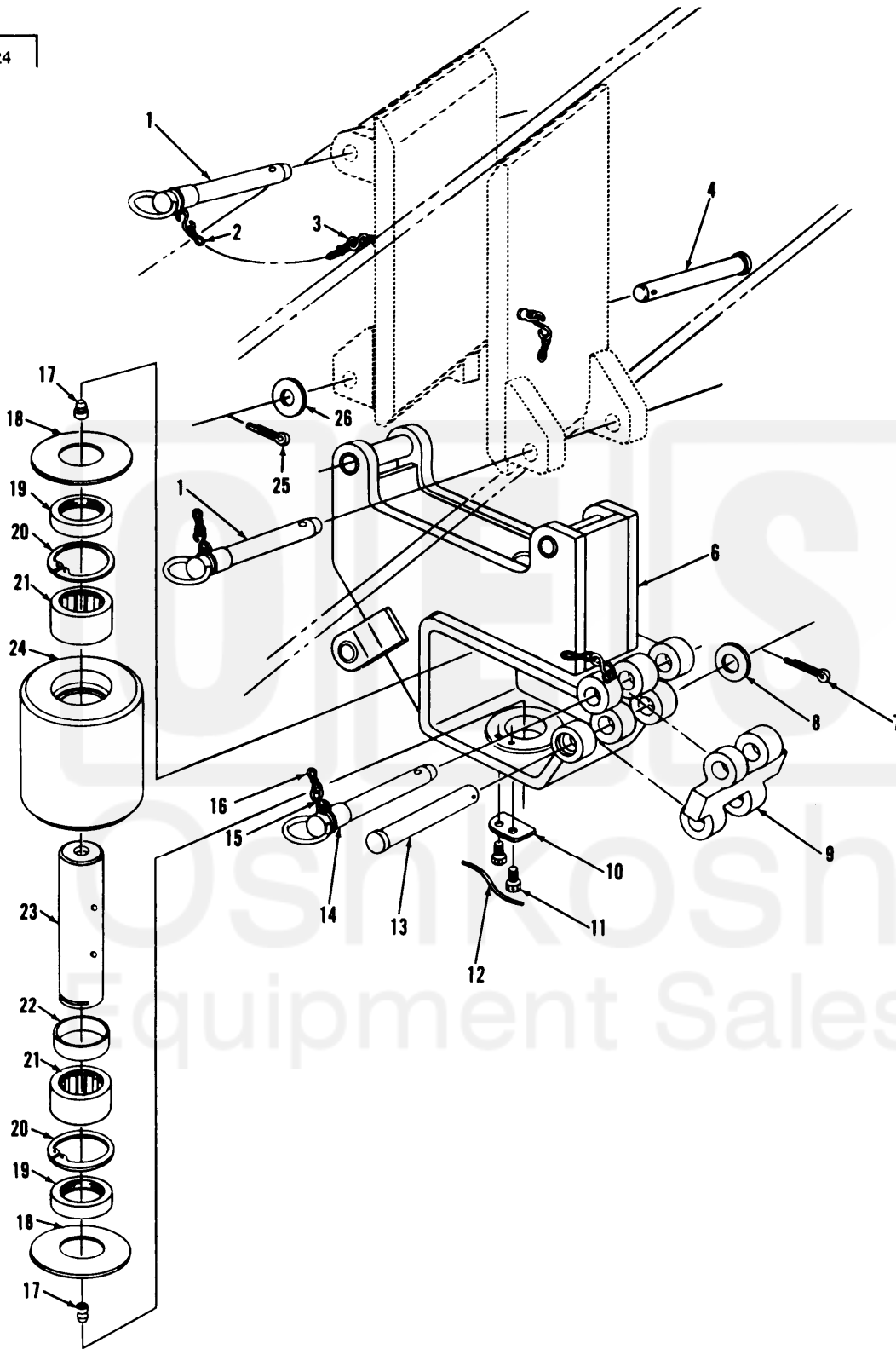


5
6 THRU 24



TA703584

FIGURE 61. SWINGAWAY ROLLER ASSEMBLY AND MOUNTING PARTS.

